

IN-CEILING SPEAKER

CM62-EZs



The CM62-EZs is a 6.5" coaxial 2-way blind-mount in-ceiling speaker which delivers true high efficiency and performance across the operating bandwidth. By incorporating a 4" treated-fiber driver with cloth surround in a sealed drawn steel dome, this speaker delivers maximum frequency response (65 Hz - 22 kHz, -10 dB) in a compact design. Mounting hardware is included and features a constant-tension mounting system with a 21 gauge "full-metal" steel tile bridge ensuring rapid and secure installation in any sheet-rock or drop-tile application. For easy ordering, stocking and installation, this series includes a color-coded (green) tile bridge, optional pre-construction bracket, and a 5-position tap switch for 25, 70.7 & 100 V applications with voice coil/16 Ohm bypass.

APPLICATION

Developed specifically for the voice evacuation, paging and background music applications where cost, quality and fit are paramount, the CM62-EZs is ideal for hotels, retail stores, restaurants, airports, churches (under eave) or boardrooms. Indeed, the entire CM-EZ series is engineered for installations where high-efficiency and rapid installation are critical attributes. For applications requiring additional bass response, ATEİS CM1001d sub woofer provides true low-end response down to 50 Hz.

PHYSICAL CONSTRUCTION

One 165 mm (6.5 in) treated fiber woofer with cloth surround and one 25.4 mm (1.0 in) silk tweeter.

Reduced amplification costs with maximum efficiency including 90 dB sensitivity and 16 Ohm impedance.

Superior voice intelligibility with a 10 kHz coverage angle of 80° (Independently verified).

Easy-access 5-position tap switch for 25/70.7/100 Volt and 16 Ohm settings allows for easy ordering, stocking and installation.

Adaptable to material thicknesses ranging from 0.04 in (0.9 mm) to 1.60 in (40.6).

ACOUSTIC MODELING

The CM EZ speakers support EASE, CATT and ULYSSES models for acoustical studies. That means the acoustic models can be created to simulate the sound quality

and distribution even before installation. As per BS5839 part 8, EN60849 and NFPA72 a minimum of 0.5 RaSTI is required to achieve the required intelligibility.

APPROVALS & STANDARDS

All ATEİS loudspeakers have gone through tough testing procedures to ensure that all products can operate at their rated power in compliance to IEC60268 - Part 5.

As well all the Fire Rated products had gone under actual fire tests to ensure compliance to UL 1480 & 2043, cUL, CE (EMC Directive 89/366/EEC, EN55020, EN55013).

The CM EZ speakers are tested in accordance to IEC60268 - Part 5 for high quality intelligibility.

ARCHITECT & ENGINEERING SPECIFICATION

The loudspeaker shall consist of one 165 mm (6.5in) low-frequency transducer and one 25.4 mm (1.0 in) high-frequency transducer with a frequency dividing network installed in a sealed enclosure. The low-frequency voice coil diameter shall be 25 mm (1.0 in). The low-frequency transducer shall have a treated fiber cone material with cloth surround. The high-frequency transducer shall be constructed of silk material using a balanced-dome configuration. Performance specifications of a typical production unit shall be as follows: Usable frequency range shall extend from 65 Hz - 22 kHz, -10 dB. The loudspeaker shall be available with selectable 25/70.7/100 Volt and 16 Ohm/voice coil direct tap switch. The frequency dividing network shall have a crossover frequency of 4.0 kHz. Rated power capacity of the components and network shall be at least 20 Watts continuous RMS power and conform to EIA-426-B testing. Maximum continuous output at 1 meter shall be at least 107 dB.

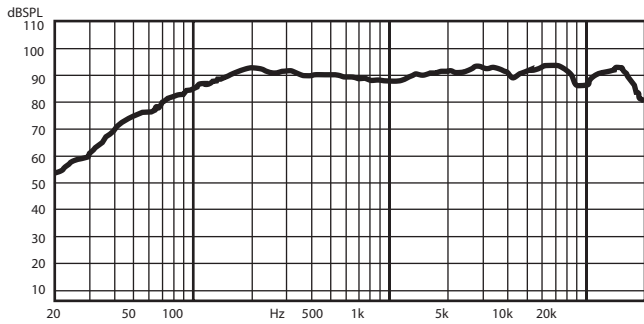
The dome shall be constructed of galvanized steel with an ABS plastic baffle. The grille shall be constructed of painted steel. Shipped complete with UL-listed flex conduit clamp, color coded tile bridge (to match color-coded backcan), grille, wire nuts, cut-out template and paint shield, the integrated CM62-EZs in-ceiling speaker is engineered for high performance and rapid installation in plenum spaces. The CM62-EZs incorporates a secondary attachment point for added security, or where required by code. Installation for the CM62-EZs shall be by 2-screw blind-mount constant-tension winged assembly and shall attach to ceiling thicknesses ranging from 0.04 in to 1.6 in. The external wiring shall be hard wired using wire nuts accepting up to three 18-gauge wires.

The CM62-EZs is factory preset to the 32 Watt setting in the 70.7 Volt mode with a tap switch located on the front baffle. The system shall be the ATEİS CM62-EZs for both low & high impedance applications.

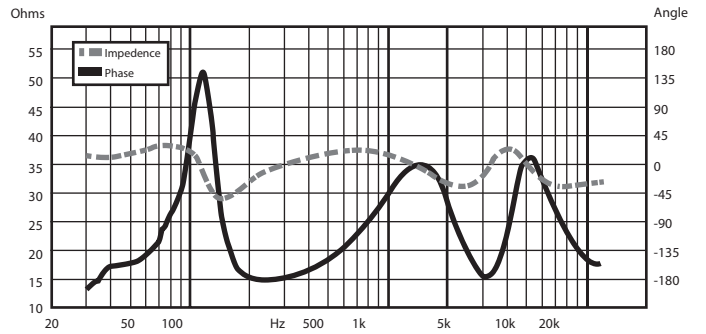


FREQUENCY RESPONSE

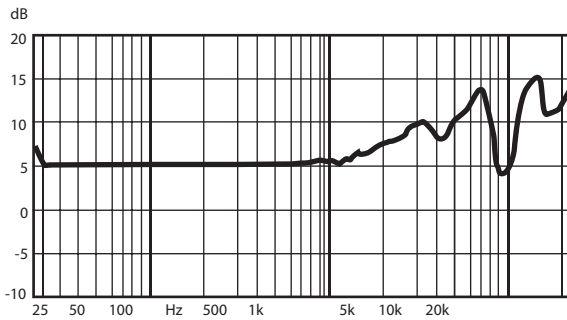
Frequency Response



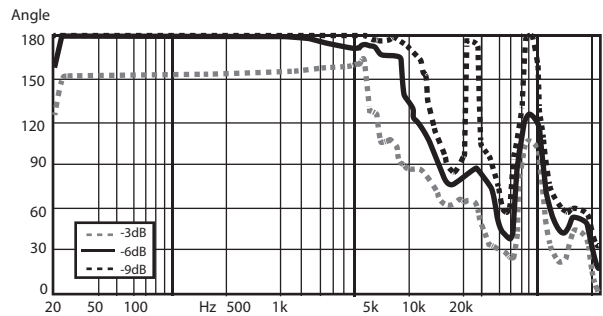
Phase/Impedance Reponse



Directivity Index (DI)

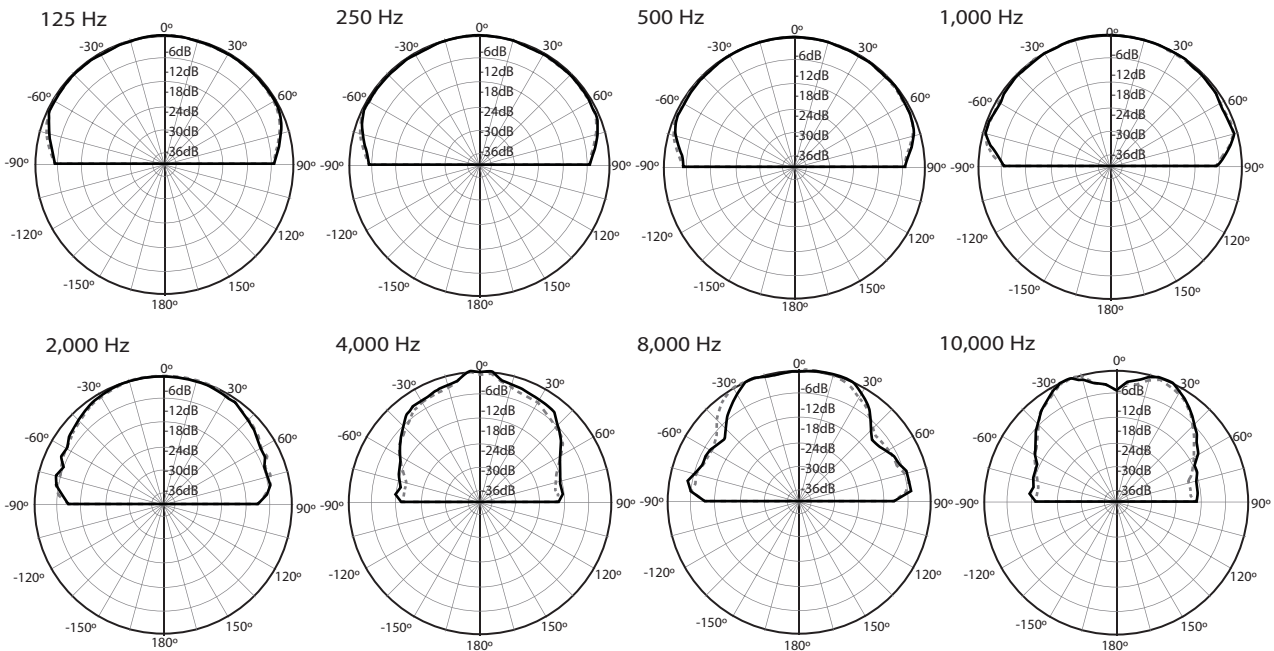


Beamwidth

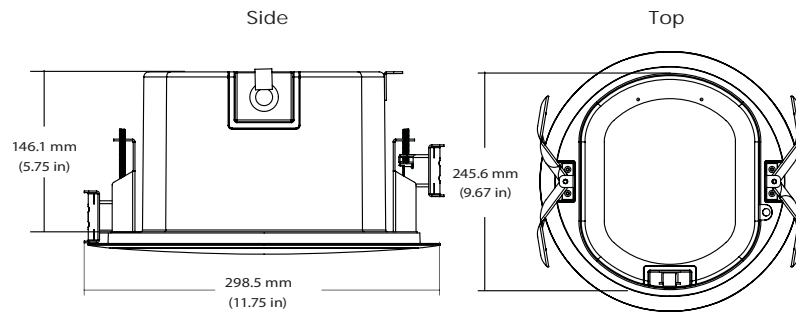


POLAR PLOTS

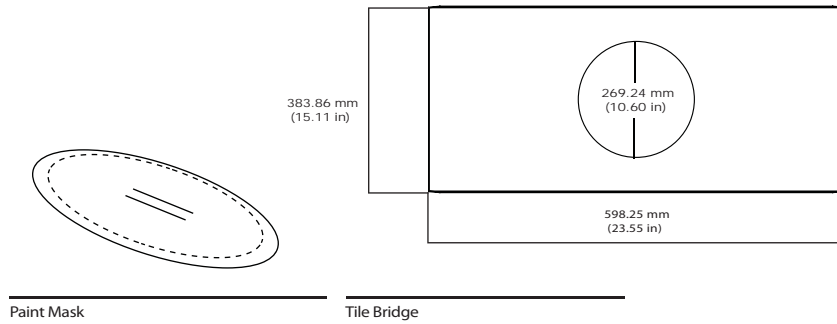
— Vertical
- - - Horizontal



MECHANICAL DRAWINGS



INCLUDED ACCESSORIES



OPTIONAL ACCESSORIES

